

SECTION **SR**  
SRS AIRBAG

A  
B  
C  
D  
E  
F  
G  
SR  
I  
J  
K  
L  
M  
N  
O  
P

CONTENTS

<b>PRECAUTION</b> .....	2	Exploded View .....	10
<b>PRECAUTIONS</b> .....	2	Removal and Installation .....	10
Precaution for Supplemental Restraint System (SRS) "AIR BAG" and "SEAT BELT PRE-TENSIONER" .....	2	<b>SIDE CURTAIN AIR BAG MODULE</b> .....	12
Service .....	2	Exploded View .....	12
Occupant Classification System .....	2	Removal and Installation .....	12
<b>PREPARATION</b> .....	3	<b>CRASH ZONE SENSOR</b> .....	14
<b>PREPARATION</b> .....	3	Exploded View .....	14
Commercial Service Tools .....	3	Removal and Installation .....	14
<b>REMOVAL AND INSTALLATION</b> .....	4	<b>SIDE AIR BAG (SATELLITE) SENSOR</b> .....	15
<b>DRIVER AIR BAG MODULE</b> .....	4	Exploded View .....	15
Exploded View .....	4	Removal and Installation .....	15
Removal and Installation .....	4	<b>DIAGNOSIS SENSOR UNIT</b> .....	16
<b>SPIRAL CABLE</b> .....	7	Exploded View .....	16
Exploded View .....	7	Removal and Installation .....	16
Removal and Installation .....	7	<b>FRONT SEAT BELT PRE-TENSIONER</b> .....	18
<b>FRONT PASSENGER AIR BAG MODULE</b> .....	10	Removal and Installation .....	18
		<b>OCCUPANT CLASSIFICATION SYSTEM CONTROL UNIT</b> .....	19
		Removal and Installation .....	19

# PRECAUTIONS

< PRECAUTION >

## PRECAUTION

### PRECAUTIONS

#### Precaution for Supplemental Restraint System (SRS) "AIR BAG" and "SEAT BELT PRE-TENSIONER"

INFOID:000000003034981

The Supplemental Restraint System such as "AIR BAG" and "SEAT BELT PRE-TENSIONER", used along with a front seat belt, helps to reduce the risk or severity of injury to the driver and front passenger for certain types of collision. This system includes seat belt switch inputs and dual stage front air bag modules. The SRS system uses the seat belt switches to determine the front air bag deployment, and may only deploy one front air bag, depending on the severity of a collision and whether the front occupants are belted or unbelted. Information necessary to service the system safely is included in the "SRS AIR BAG" and "SEAT BELT" of this Service Manual.

#### **WARNING:**

- To avoid rendering the SRS inoperative, which could increase the risk of personal injury or death in the event of a collision which would result in air bag inflation, all maintenance must be performed by an authorized NISSAN/INFINITI dealer.
- Improper maintenance, including incorrect removal and installation of the SRS, can lead to personal injury caused by unintentional activation of the system. For removal of Spiral Cable and Air Bag Module, see the "SRS AIR BAG".
- Do not use electrical test equipment on any circuit related to the SRS unless instructed to in this Service Manual. SRS wiring harnesses can be identified by yellow and/or orange harnesses or harness connectors.

#### PRECAUTIONS WHEN USING POWER TOOLS (AIR OR ELECTRIC) AND HAMMERS

#### **WARNING:**

- When working near the Air Bag Diagnosis Sensor Unit or other Air Bag System sensors with the ignition ON or engine running, DO NOT use air or electric power tools or strike near the sensor(s) with a hammer. Heavy vibration could activate the sensor(s) and deploy the air bag(s), possibly causing serious injury.
- When using air or electric power tools or hammers, always switch the ignition OFF, disconnect the battery, and wait at least 3 minutes before performing any service.

#### Service

INFOID:000000001833366

- Never use electrical test equipment to check SRS circuits unless instructed to in this Service Manual.
- Before servicing the SRS, turn ignition switch OFF, disconnect battery negative terminal and wait at least 3 minutes.  
For approximately 3 minutes after the cables are removed, it is still possible for the air bag and seat belt pretensioner to deploy. Therefore, never work on any SRS connectors or wires until at least 3 minutes have elapsed.
- Diagnosis sensor unit must always be installed with their arrow marks "⇐" pointing towards the front of the vehicle for proper operation. Also check diagnosis sensor unit for cracks, deformities or rust before installation and replace as required.
- The spiral cable must be aligned in the neutral position since its rotations are limited. Never turn steering wheel and column after removal of steering gear.
- Handle air bag module carefully. Always place driver and front passenger air bag modules with the pad side facing upward and seat mounted front side air bag module standing with the stud bolt side facing down.
- Conduct self-diagnosis to check entire SRS for proper function after replacing any components.
- After air bag inflates, the front instrument panel assembly should be replaced if damaged.
- Always replace instrument panel pad following front passenger air bag deployment.

#### Occupant Classification System

INFOID:000000001833367

- Replace occupant classification system control unit and passenger front seat cushion as an assembly. Refer to [SE-53. "Removal and Installation"](#).

# PREPARATION

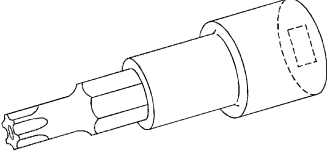
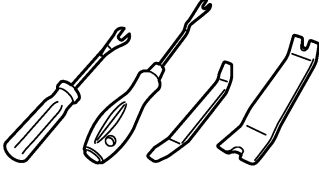
< PREPARATION >

## PREPARATION

### PREPARATION

#### Commercial Service Tools

INFOID:000000001907907

Tool name	Description
<p data-bbox="154 520 418 546">Tamper resistant TORX bit</p>  <p data-bbox="727 632 781 646">S-NT757</p>	<p data-bbox="906 506 1468 558">Removes driver air bag module and/or Diagnosis sensor unit</p>
<p data-bbox="154 772 289 798">Remover tool</p>  <p data-bbox="727 884 813 898">JMKIA3050ZZ</p>	<p data-bbox="906 772 1273 798">Removes clips, pawls, and metal clip</p>

A

B

C

D

E

F

G

SR

I

J

K

L

M

N

O

P

# DRIVER AIR BAG MODULE

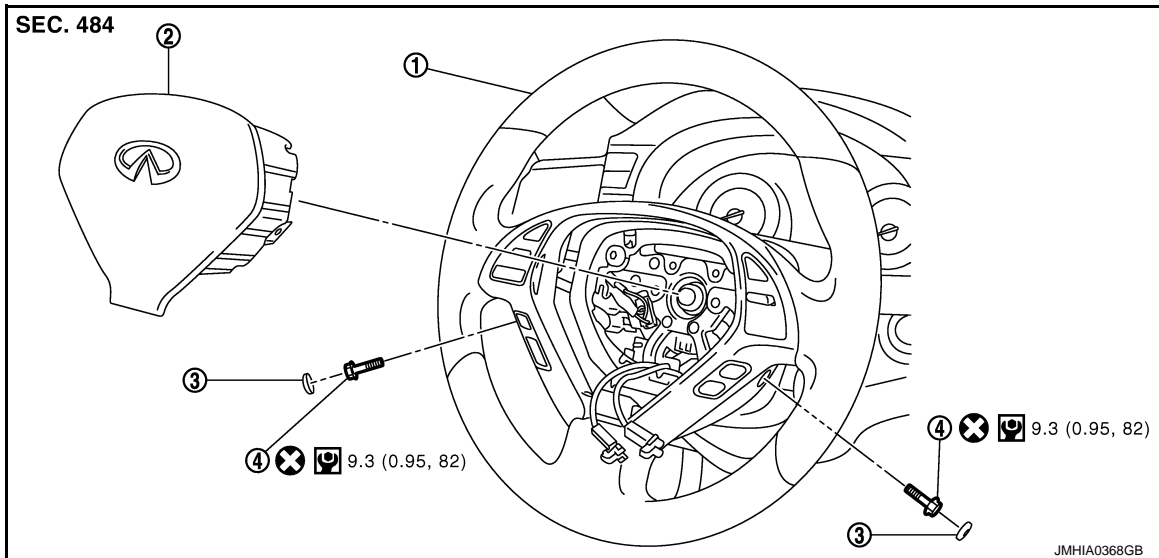
< REMOVAL AND INSTALLATION >

## REMOVAL AND INSTALLATION

### DRIVER AIR BAG MODULE

Exploded View

INFOID:000000001907908



1. Steering wheel
2. Driver air bag module
3. Side lid
4. TORX bolt

Refer to [GI-4, "Components"](#) for symbols in the figure.

### Removal and Installation

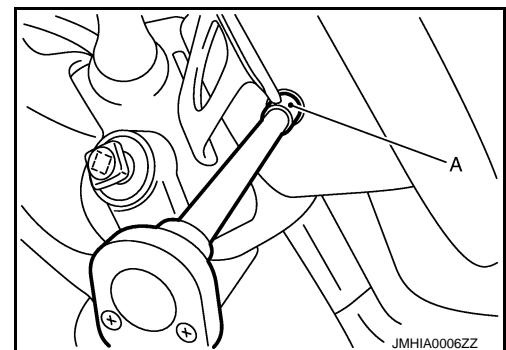
INFOID:000000001907909

#### **WARNING:**

- Before servicing, turn ignition switch OFF, disconnect battery negative terminal and wait 3 minutes or more.
- Always work from the side of air bag module. Never work in front of it.
- Never use the air tools or electric tools for servicing.

#### REMOVAL

1. Remove the side lids (LH/RH).
2. Remove the TORX bolt (LH/RH) from the steering wheel lower side using TORX bit (A).



3. Pull out the driver air bag module assembly.

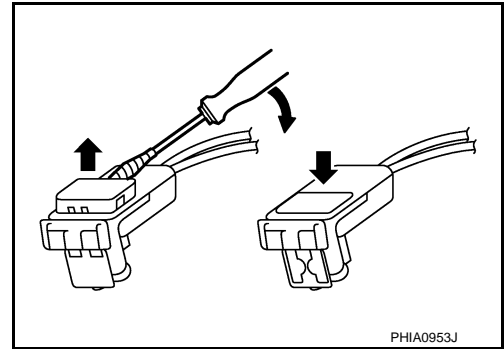
# DRIVER AIR BAG MODULE

## < REMOVAL AND INSTALLATION >

4. Disconnect the driver air bag module harness connector.

**CAUTION:**

- For installing/removing the driver air bag module harness connector, insert thin screwdriver wrapped in tape into notch, lift lock and remove connector.
- Install the connector with lock raised, and push lock into the connector.
- After installing the connector, check that the lock is pushed securely into it.

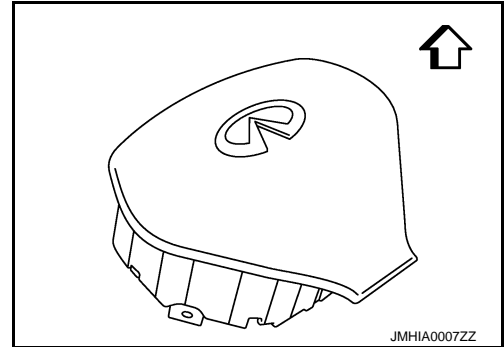


5. Remove the driver air bag module.

**CAUTION:**

- Always place the driver air bag module with pad side facing upward.

↶ : Upward



- Never impact the driver air bag module.
- Replace the driver air bag module if it has been dropped or sustained an impact.



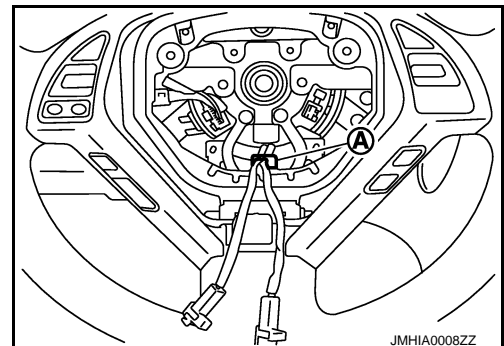
- Never insert any foreign objects (screwdriver, etc.) into the driver air bag module.
- Never disassemble the driver air bag module.
- Never expose the driver air bag module to temperatures exceeding 90°C (194°F).
- Never allow oil, grease, detergent, or water to come in contact with the driver air bag module.

## INSTALLATION

Install in the reverse order of removal.

**CAUTION:**

- Never use the old TORX bolts after removal, replace with the new bolts.
- Fix the driver air bag module harness to the harness fixing hook (A).



A  
B  
C  
D  
E  
F  
G  
SR  
I  
J  
K  
L  
M  
N  
O  
P

## DRIVER AIR BAG MODULE

### < REMOVAL AND INSTALLATION >

---

- **Never damage the harness while installing.**
- **Tighten the TORX bolts after completely adjusting the centers of fixing holes on the driver air bag module side and the steering wheel side. If the holes are misaligned, the bolt threads are damaged and the module is not installed securely.**
- **If malfunction is detected by the air bag warning lamp, after repair or replacement of the malfunctioning parts, reset the memory using self-diagnosis or CONSULT-III. Refer to [SRC-17, "CONSULT-III Function"](#).**
- **After the work is completed, check that no system malfunction is detected by air bag warning lamp.**

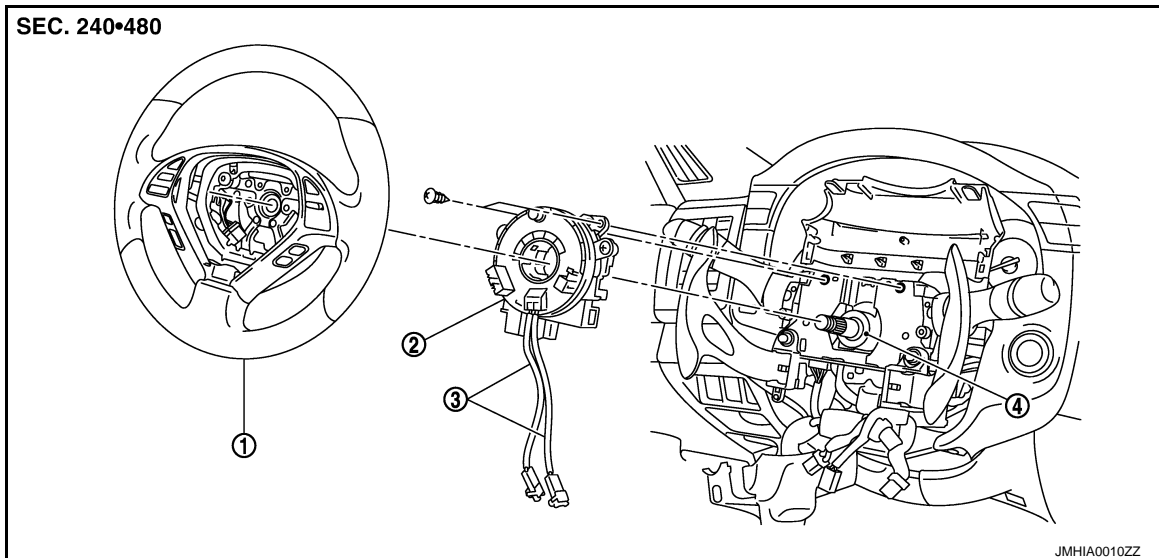
# SPIRAL CABLE

< REMOVAL AND INSTALLATION >

## SPIRAL CABLE

Exploded View

INFOID:000000001907910



1. Steering wheel
2. Spiral cable
3. Driver air bag module harness connector
4. Steering column assembly

## Removal and Installation

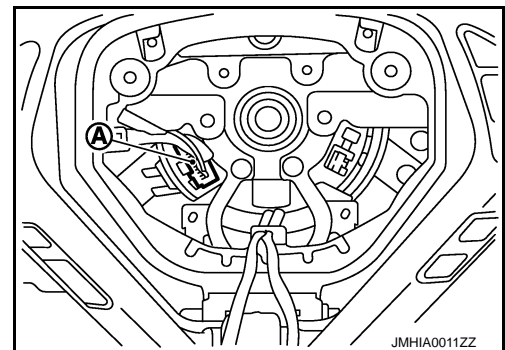
INFOID:000000001907911

### WARNING:

- Before servicing, turn ignition switch OFF, disconnect battery negative terminal and wait 3 minutes or more.
- Never use the air tools or electric tools for servicing.

### REMOVAL

1. Remove the driver air bag module. Refer to [SR-4. "Removal and Installation"](#).
2. Disconnect the steering horn switch harness connector (A).



3. Remove the steering wheel. Refer to [ST-17. "Removal and Installation"](#).
4. Remove the steering column cover (upper/lower/side). Refer to [IP-12. "Removal and Installation"](#).
5. Remove the spiral cable fixing screws.
6. Pull out forward the spiral cable and steering angle sensor.

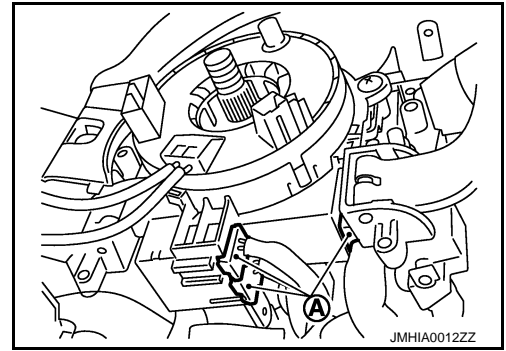
# SPIRAL CABLE

## < REMOVAL AND INSTALLATION >

7. Disconnect the spiral cable body side harness connectors (A).

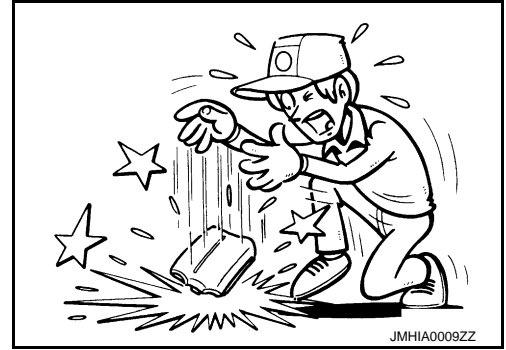
**NOTE:**

Disconnect the spiral cable body side harness connector after removing the spiral cable.



**CAUTION:**

- Never impact the spiral cable.
- Replace the spiral cable if it has been dropped or sustained an impact.



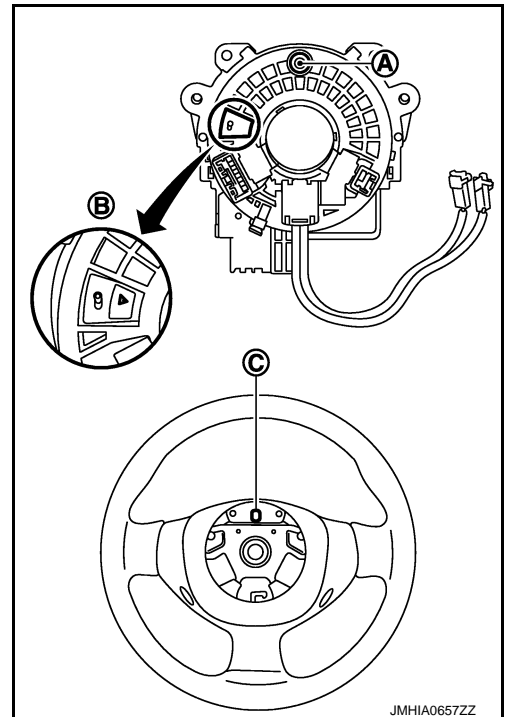
- Never disassemble the spiral cable.
- Never apply lubricant to the spiral cable.
- Never allow oil, grease, detergent, or water to come in contact with the spiral cable.

## INSTALLATION

Install in the reverse order of removal.

**CAUTION:**

- The spiral cable may snap during steering operation if the cable is installed in an improper position. The neutral position is set as follows.
- Carefully turn the spiral cable clockwise to the end position. Then turn it counterclockwise (about 2 and a half turns) and stop turning at the mark (B) on which the stopper insertion holes are in the same position.
- The service part is installed in the neutral position by the stopper and can be set without adjusting after the stopper is removed.
- Never over turn the spiral cable or go beyond number of turns required. (This will cause the cable to snap.)
- Adjust the spiral cable locating pin (A) to the steering wheel locating pin hole (C).

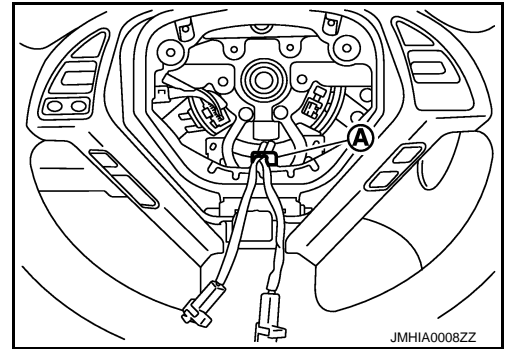




## SPIRAL CABLE

### < REMOVAL AND INSTALLATION >

- Fix the driver air bag module harness to the harness fixing hook (A).



- If malfunction is detected by the air bag warning lamp, after repair or replacement of the malfunctioning parts, reset the memory using self-diagnosis or CONSULT-III. Refer to [SRC-17, "CONSULT-III Function"](#).
- After the work is completed, check that no system malfunction is detected by air bag warning lamp.

A  
B  
C  
D  
E  
F  
G  
SR  
I  
J  
K  
L  
M  
N  
O  
P

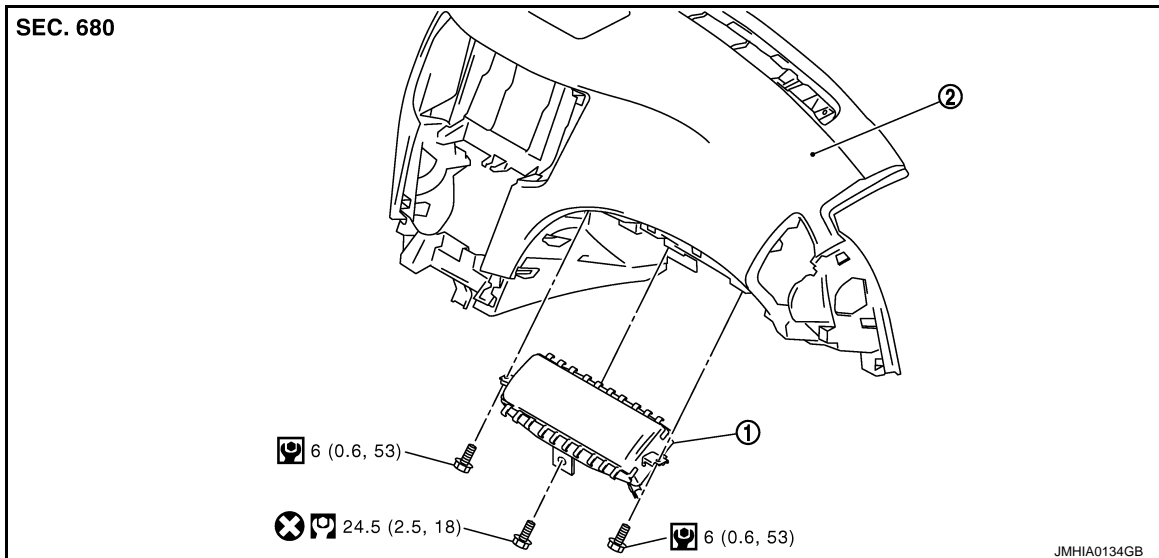
# FRONT PASSENGER AIR BAG MODULE

< REMOVAL AND INSTALLATION >

## FRONT PASSENGER AIR BAG MODULE

Exploded View

INFOID:000000001907912



1. Passenger air bag module
2. Instrument panel assembly

Refer to [GI-4. "Components"](#) for symbols in the figure.

## Removal and Installation

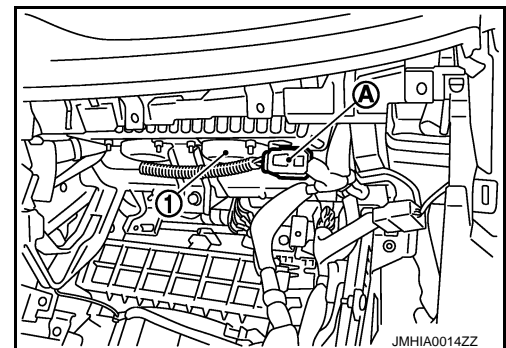
INFOID:000000001907913

### WARNING:

- Before servicing, turn ignition switch OFF, disconnect battery negative terminal and wait 3 minutes or more.
- Always work from the side of air bag module. Never work in front of it.
- Never use the air tools or electric tools for servicing.

### REMOVAL

1. Remove the glove box assemblies. Refer to [IP-12. "Removal and Installation"](#).
2. Remove the Instrument lower assist panel. Refer to [IP-12. "Removal and Installation"](#).
3. Disconnect the passenger air bag module harness connector (A) from the passenger air bag module (1).



4. Remove the passenger air bag module fixing bolt and screws.

### NOTE:

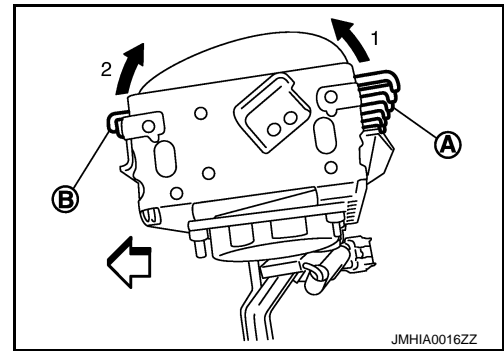
The figure shows the installed front passenger air bag module. (Under view of the module installed without glove box cover.)

# FRONT PASSENGER AIR BAG MODULE

## < REMOVAL AND INSTALLATION >

5. Disconnect the pawls [(A) and (B)], then remove the passenger air bag module.

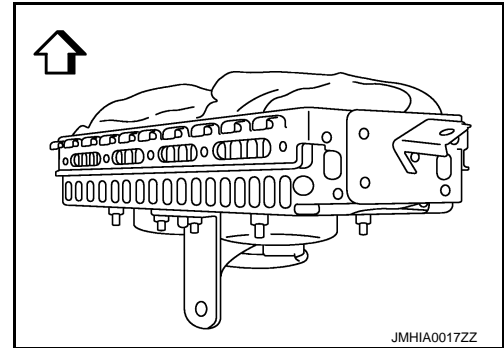
← : Vehicle front



### CAUTION:

- Always place the passenger air bag module with pad side facing upward.

↑ : Upward



- Never impact the front passenger air bag module.
- Replace the passenger air bag module if it has been dropped or sustained an impact.



- Never insert any foreign objects (screwdriver, etc.) into the passenger air bag module.
- Never disassemble the passenger air bag module.
- Never expose the passenger air bag module to temperatures exceeding 90°C (194°F).
- Never allow oil, grease, detergent, or water to come in contact with the front passenger air bag module.

## INSTALLATION

Install in the reverse order of removal.

### CAUTION:

- Never use the old fixing bolts after removal, replace with the new bolts.
- Never damage the harness while installing.
- If malfunction is detected by the air bag warning lamp, after repair or replacement of the malfunctioning parts, reset the memory using self-diagnosis or CONSULT-III. Refer to [SRC-17, "CONSULT-III Function"](#).
- After the work is completed, check that no system malfunction is detected by air bag warning lamp.

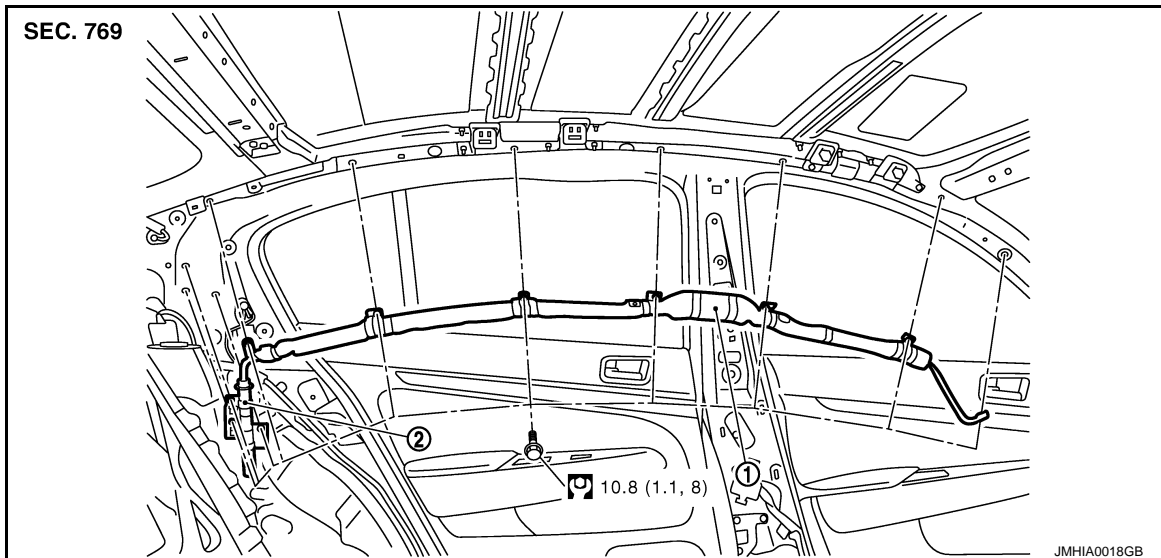
# SIDE CURTAIN AIR BAG MODULE

< REMOVAL AND INSTALLATION >

## SIDE CURTAIN AIR BAG MODULE

Exploded View

INFOID:000000001907914



1. Side curtain air bag
2. Side curtain air bag inflator

Refer to [GI-4. "Components"](#) for symbols in the figure.

## Removal and Installation

INFOID:000000001907915

### WARNING:

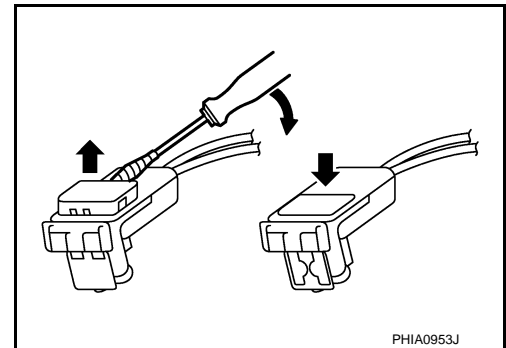
- Before servicing, turn ignition switch OFF, disconnect battery negative terminal and wait 3 minutes or more.
- Never use the air tools or electric tools for servicing.

### REMOVAL

1. Remove the headlining. Refer to [INT-24. "Removal and Installation"](#).
2. Remove the side curtain air bag module harness connector.

### CAUTION:

- For installing/removing the side curtain air bag module harness connector, insert thin screwdriver wrapped in tape into notch, lift lock and remove connector.
- Install the connector with lock raised, and push lock into the connector.
- After installing the connector, check that the lock is pushed securely into it.



3. Remove the fixing bolts, and then remove side curtain air bag module.

### CAUTION:

## SIDE CURTAIN AIR BAG MODULE

### < REMOVAL AND INSTALLATION >

- Never impact the side curtain air bag module.
- Replace the side curtain air bag module if it has been dropped or sustained an impact.



- Never insert any foreign objects (screwdriver, etc.) into the side curtain air bag module.
- Never disassemble the side curtain air bag module.
- Never expose the side curtain air bag module to temperatures exceeding 90°C (194°F).
- Never allow oil, grease, detergent, or water to come in contact with the side curtain air bag module.

### INSTALLATION

Install in the reverse order of removal.

#### **CAUTION:**

- Never damage the harness while installing.
- If malfunction is detected by the air bag warning lamp, after repair or replacement of the malfunctioning parts, reset the memory using self-diagnosis or CONSULT-III. Refer to [SRC-17, "CONSULT-III Function"](#).
- After the work is completed, check that no system malfunction is detected by air bag warning lamp.

A  
B  
C  
D  
E  
F  
G  
SR  
I  
J  
K  
L  
M  
N  
O  
P

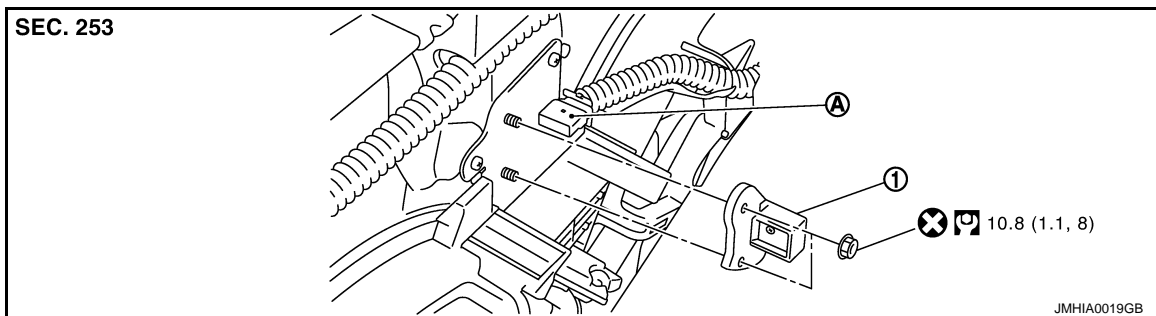
# CRASH ZONE SENSOR

< REMOVAL AND INSTALLATION >

## CRASH ZONE SENSOR

### Exploded View

INFOID:000000001907916



1. Crash zone sensor
  - A. Crash zone sensor harness connector
- Refer to [GI-4. "Components"](#) for symbols in the figure.

### Removal and Installation

INFOID:000000001907917

#### WARNING:

- Before servicing, turn ignition switch OFF, disconnect battery negative terminal and wait 3 minutes or more.
- Never use the air tools or electric tools for servicing.

#### REMOVAL

1. Remove the reservoir tank. Refer to [CO-14. "Exploded View"](#).
2. Remove the crash zone sensor fixing nuts.
3. Disconnect the crash zone sensor harness connector.

#### CAUTION:

- Never impact the crash zone sensor.
- Replace the crash zone sensor if it has been dropped or sustained an impact.



- Replace the crash zone sensor of deployed SRS driver air bag and deployed SRS front passenger air bag.

#### INSTALLATION

Install in the reverse order of removal.

#### CAUTION:

- Never use the old fixing nuts after removal, replace with the new nuts.
- Never damage the harness while installing.
- If malfunction is detected by the air bag warning lamp, after repair or replacement of the malfunctioning parts, reset the memory using self-diagnosis or CONSULT-III. Refer to [SRC-17. "CONSULT-III Function"](#).
- After the work is completed, check that no system malfunction is detected by air bag warning lamp.

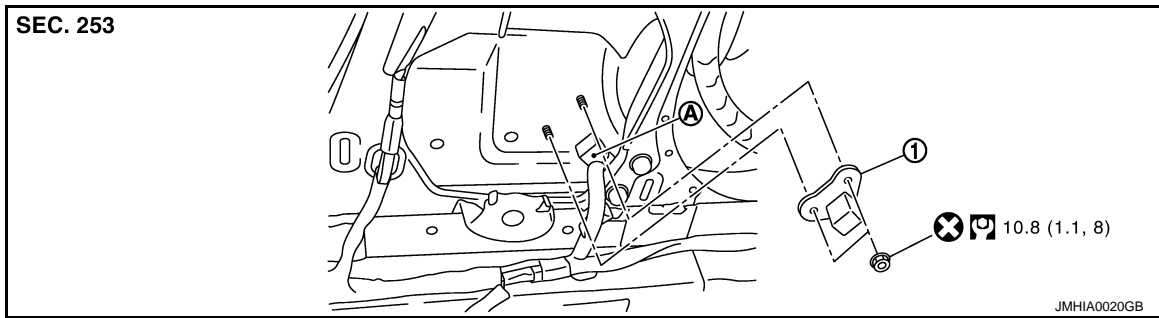
# SIDE AIR BAG (SATELLITE) SENSOR

< REMOVAL AND INSTALLATION >

## SIDE AIR BAG (SATELLITE) SENSOR

### Exploded View

INFOID:000000001907918



1. Satellite sensor
- A. Satellite sensor harness connector

Refer to [GI-4. "Components"](#) for symbols in the figure.

### Removal and Installation

INFOID:000000001907919

#### **WARNING:**

- Before servicing, turn ignition switch OFF, disconnect battery negative terminal and wait 3 minutes or more.
- Never use the air tools or electric tools for servicing.

#### REMOVAL

1. Remove the front seat belt retractor. Refer to [SB-6. "SEAT BELT RETRACTOR : Removal and Installation"](#).
2. Remove the satellite sensor fixing nuts.
3. Disconnect the satellite sensor harness connector, and then remove the satellite sensor.

#### **CAUTION:**

- Never impact the side air bag (satellite) sensor.
- Replace the satellite sensor if it has been dropped or sustained an impact.



- Replace the satellite sensor of deployed SRS front side air bag module and deployed SRS side curtain air bag module.

#### INSTALLATION

Install in the reverse order of removal.

#### **CAUTION:**

- Never use the old fixing nuts after removal, replace with the new nuts.
- Never damage the harness while installing.
- If malfunction is detected by the air bag warning lamp, after repair or replacement of the malfunctioning parts, reset the memory using self-diagnosis or CONSULT-III. Refer to [SRC-17. "CONSULT-III Function"](#).
- After the work is completed, check that no system malfunction is detected by air bag warning lamp.

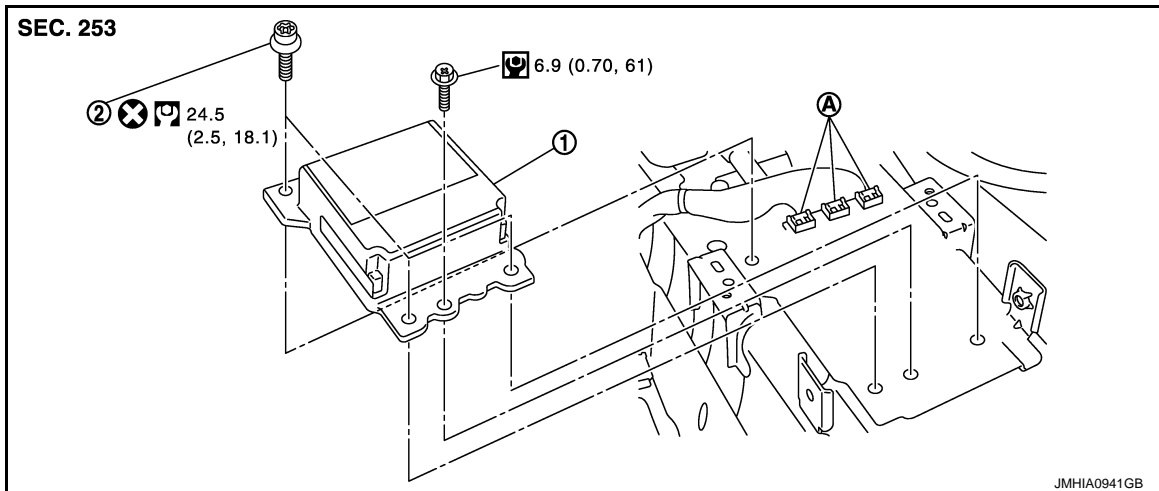
# DIAGNOSIS SENSOR UNIT

< REMOVAL AND INSTALLATION >

## DIAGNOSIS SENSOR UNIT

### Exploded View

INFOID:000000001907920



1. Diagnosis sensor unit
2. TORX bolt
- A. Diagnosis sensor unit harness connectors

Refer to [GI-4, "Components"](#) for symbols in the figure.

### Removal and Installation

INFOID:000000001907921

#### **WARNING:**

- Before servicing, turn ignition switch OFF, disconnect battery negative terminal and wait 3 minutes or more.
- Before disconnecting the air bag sensor unit harness connector, be sure to disconnect the each harness connector of the air bag module and pre-tensioner seat belt to prevent air bag deployment by static electricity and pre-tensioner seat belt operation.
- Never use the air tools or electric tools for servicing.
- When replacing the air bag diagnosis sensor unit, always check with the parts department for the latest parts information. Installing an incorrect air bag diagnosis sensor unit may or may not cause the air bag warning lamp to illuminate and may cause incorrect deployment of the supplemental air bags and seat belt pre-tensioners in a collision resulting in serious personal injury or death.

#### REMOVAL

1. Always check the air bag diagnosis sensor unit ECU discriminated number (identification number) using CONSULT-III.
2. Disconnect the each connector of all air bag modules and pre-tensioner seat belts.
3. Remove the center console assembly. Refer to [IP-23, "Removal and Installation"](#).
4. Remove the center console rear bracket. Refer to [IP-22, "Exploded View"](#).
5. Disconnect the diagnosis sensor unit harness connectors.
6. Remove the TORX bolts, ground bolt, and then remove the diagnosis sensor unit.

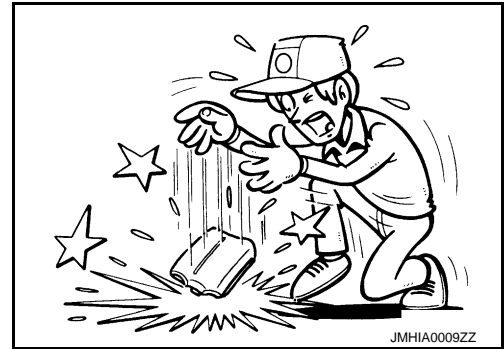
#### **CAUTION:**



## DIAGNOSIS SENSOR UNIT

### < REMOVAL AND INSTALLATION >

- Never impact the diagnosis sensor unit.
- Replace the diagnosis sensor unit if it has been dropped or sustained an impact.



- Replace the diagnosis sensor unit of deployed SRS air bag and deployed SRS front seat belt pre-tensioner.

### INSTALLATION

Install air bag diagnosis sensor unit in the reverse order of removal.

#### **CAUTION:**

- Never use the old TORX bolts after removal, replace with the new TORX bolts.
- Never damage the harness while installing.
- If malfunction is detected by the air bag warning lamp, after repair or replacement of the malfunctioning parts, reset the memory using self-diagnosis or CONSULT-III. Refer to [SRC-17, "CONSULT-III Function"](#).
- After the work is completed, check that no system malfunction is detected by air bag warning lamp.
- After replacing the air bag diagnosis sensor unit, confirm using CONSULT-III that the ECU discriminated number (identification number) of the new replacement air bag sensor unit matches the ECU discriminated number (identification number) of the replaced (old) air bag diagnosis sensor unit.

#### **NOTE:**

If the ECU discriminated number of the new replacement air bag diagnosis sensor unit differs from the ECU discriminated number of the replaced air bag diagnosis sensor unit, reconfirm the parts information and verify that the correct air bag diagnosis sensor unit was installed.

A  
B  
C  
D  
E  
F  
G  
SR  
I  
J  
K  
L  
M  
N  
O  
P

## FRONT SEAT BELT PRE-TENSIONER

< REMOVAL AND INSTALLATION >

---

### FRONT SEAT BELT PRE-TENSIONER

#### Removal and Installation

INFOID:000000001833383

For removal and installation procedures, refer to [SB-6. "SEAT BELT RETRACTOR : Removal and Installation"](#).

# OCCUPANT CLASSIFICATION SYSTEM CONTROL UNIT

< REMOVAL AND INSTALLATION >

---

## OCCUPANT CLASSIFICATION SYSTEM CONTROL UNIT

### Removal and Installation

INFOID:000000001833384

For removal and installation

The occupant classification system control unit and seat sensor mat are an integral part of the front passenger seat cushion and are replaced as an assembly. Refer to [SE-53, "Removal and Installation"](#).

A

B

C

D

E

F

G

SR

I

J

K

L

M

N

O

P